

A1004SX22P0 NTC Temperature Probe



- NTC Sensor in SS Housing
- PVC-insulated wires

DESCRIPTION

This NTC assembly features a rugged 303 or 304 stainless steel hex housing.

FEATURES

- Sturdy, sealed construction
- Fast thermal response and excellent thermal tracking

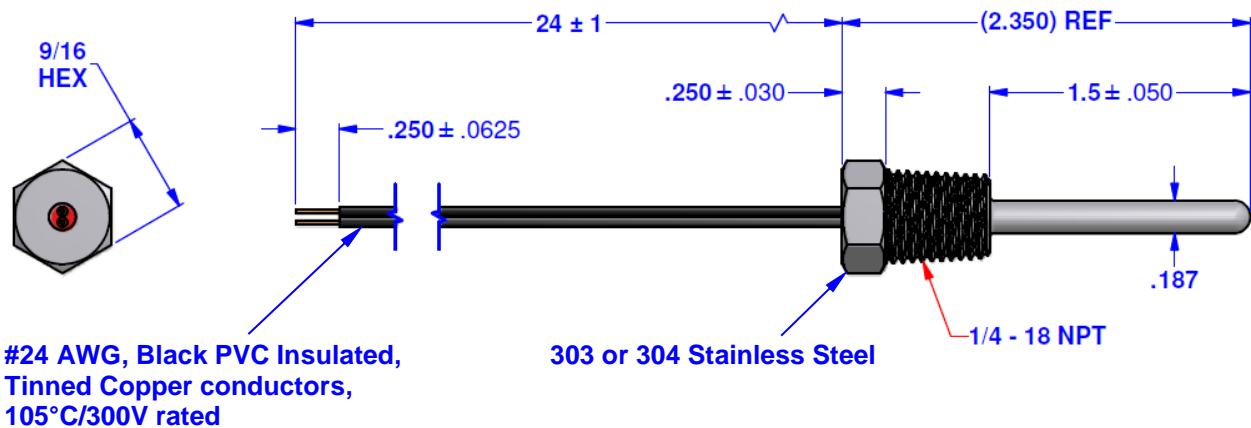
APPLICATIONS

- Fluid Temperature Sensing

PERFORMANCE SPECS

Parameters	Value and Tolerance
Resistance at 25°C	10,000 Ohms
Tolerance	+/-0.2°C from 0°C to 70°C
Beta _{25/85}	3976
R vs. T curve	3
Temperature Rating	-20°C to +100°C

MECHANICAL DETAILS



A1004SX22P0

RESISTANCE V TEMPERATURE TABLE

Temp. °C	K Ohms
-20	97,000
-15	72,910
-10	55,300
-5	42,320
0	32,650
5	25,394

Temp. °C	K Ohms
10	19,903
15	15,714
20	12,493
25	10,000
30	8,056
35	6,530

Temp. °C	K Ohms
40	5,325
45	4,367
50	3,601
55	2,985
60	2,487
65	2,082

Temp. °C	K Ohms
70	1,752
75	1,480
80	1,256
85	1,071
90	916
100	679

ORDERING INFORMATION

Part Number	Description	Ω @25°C	Material Curve No.	MOQ
A1004SX22P0	NTC THERMISTOR ASSEMBLY	10,000	3	NA

- CORPORATE HEADQUARTERS
Measurement Specialties Inc.
1000 Lucas Way,
Hampton, VA, USA 23666
www.Meas-Spec.com

- USA Temperature Products Group
Measurement Specialties, Inc.
1171 139th Lane NW
Andover, MN USA, 55304
Tel.: 763 – 689 – 4870
Fax: 763 – 689 – 5033
E-mail: temperature.cs.amer@meas-spec.com

The information in this sheet has been carefully reviewed and is believed to be accurate; however, no responsibility is assumed for inaccuracies. Furthermore, this information does not convey to the purchaser of such devices any license under the patent rights to the manufacturer. Measurement Specialties, Inc. reserves the right to make changes without further notice to any product herein. Measurement Specialties, Inc. makes no warranty, representation or guarantee regarding the suitability of its product for any particular purpose, nor does Measurement Specialties, Inc. assume any liability arising out of the application or use of any product or circuit and specifically disclaims any and all liability, including without limitation consequential or incidental damages. Typical parameters can and do vary in different applications. All operating parameters must be validated for each customer application by customer's technical experts. Measurement Specialties, Inc. does not convey any license under its patent rights nor the rights of others.

Customer Approval (The Customer signs acceptance of the mechanical/electrical specification for the NTC thermistor)

Customer Approval: _____

Date: _____

ITAR Notice

This document contains technical data as defined in the U.S. International Traffic in Arms Regulations (ITAR) section 22 C.F.R. §120.10. The technical data may not be exported, disclosed or transferred to any foreign person (including employees, consultants, or agents), corporation or business association, as defined in the ITAR section 22 C.F.R. §120.16, whether in the United States or abroad, without the prior written approval of the U.S. Department of State

The technical information contained in this document is prohibited from transfer or disclosure in any manner to non-U.S. persons in the United States or abroad without prior approval by the U.S. Commerce Department or EAR exemption. EAR Classification: EAR99